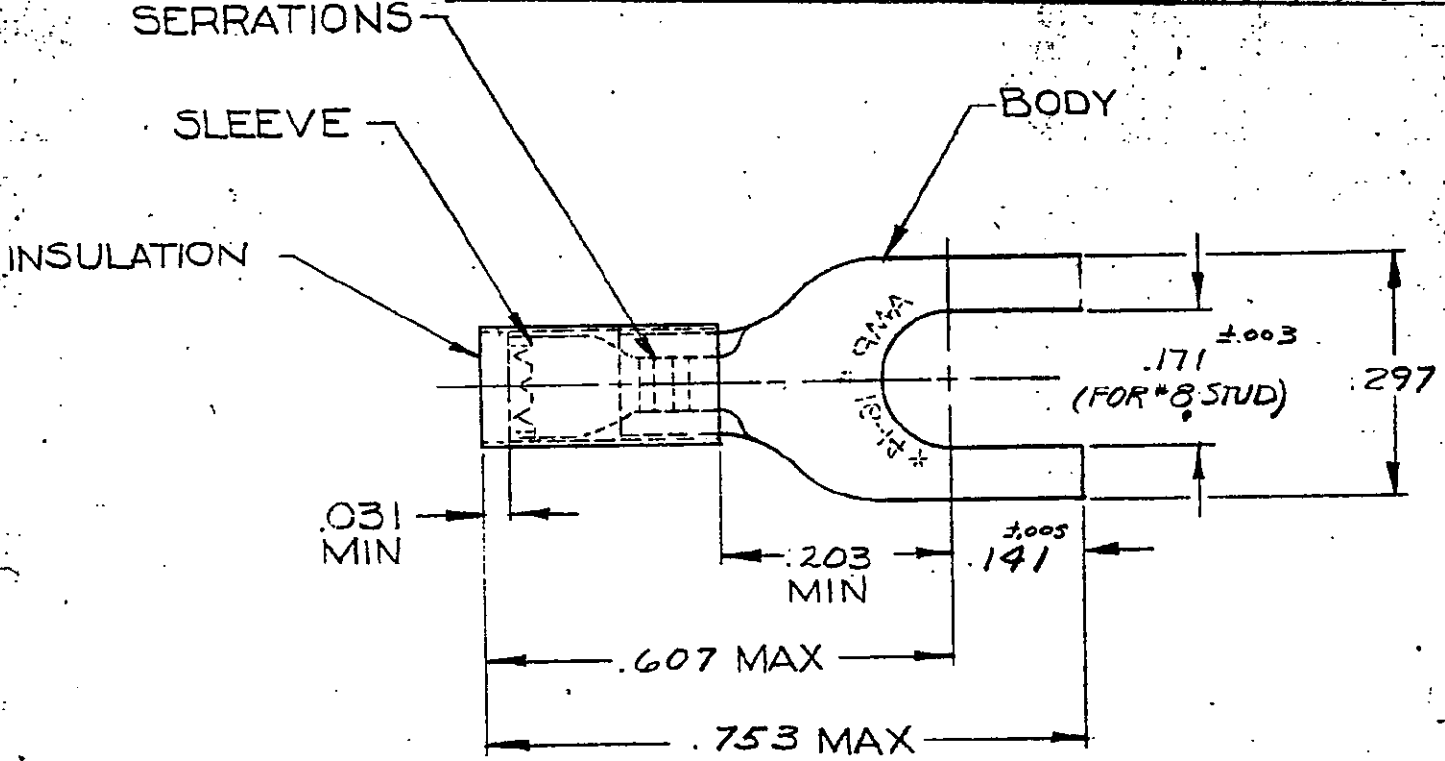


DRAWING MADE IN AMERICAN PROJECTION

LOG G 14 PRINT LIST

© 1957 BY AMP INCORPORATED. ALL RIGHTS RESERVED. AMP PRODUCTS COVERED BY PATENTS AND/OR PATENTS PENDING.

REVISIONS			
LTR	DESCRIPTION	DATE	APPROVED
A	REDRAWN, REVISED + ADDED TAPE NO. 321233-1	3-16-70	FLY
B	REV PER G-4732	7-88	BY
C	REV/0720-0060-93	4-5-93	TQ/me
D	REV/0720-0310-94	12-1-94	LO/me
E	REV/0910-0113-98	01SEP98	ME/JT



TONGUE MATERIAL THK = .031 ±.002
FOR .115 TO .170 WIRE INSULATION DIA

50	LOOSE PC, BAG	8-321233-5	BODY: COPPER: (ASTM B 152) TIN PL (ASTM B 545)
100	LOOSE PC, BOX	8-321233-1	
1	321233 ON TAPE	2-321233-1	SLEEVE INSULATION: NYLON COLOR: BLUE
1	WIRE TERMINAL	321233	
QTY	DESCRIPTION	PART NO	MATERIAL & FINISH
UNLESS OTHERWISE SPECIFIED DIMENSIONS ARE IN INCHES TOLERANCES ON: DECIMALS ±.008 ANGLES ±5°		CONTRACT NO. #	AMP INCORPORATED HARRISBURG, PENNSYLVANIA
MATERIAL		3-13-70	
SEE TABLE		CHK 3/16-70	NAME WIRE TERMINAL P.I.D.G. - SPADE WIRE SIZE: 16-14
		APPD 3-16-70	
		REL 8-17-70	SIZE A CODE IDENT NO. 00779 NUMBER 321233
		DSGN/APPD	
		OTHER APPD	SCALE NTS CUSTOMER DRAWING